



loc-n-go



Horizontal Keypad Powered by a Lithium Battery

loc-n-go is an innovative digital number pad lock that seamlessly combines sleek design with top-tier security features, providing an intuitive numeric interface for effortless access control. Elevate your security measures with loc-n-go, a modern-day sentinel that not only enhances the protection of your spaces but also streamlines access control, ensuring a smooth and secure environment without compromise.

Standard Features

- Lever switch
- All metal housing
- Operate with pin code
- Horizontal orientation
- Right sided number pad
- Brushed nickel finish

Colors

Available in Black and Brushed Nickel



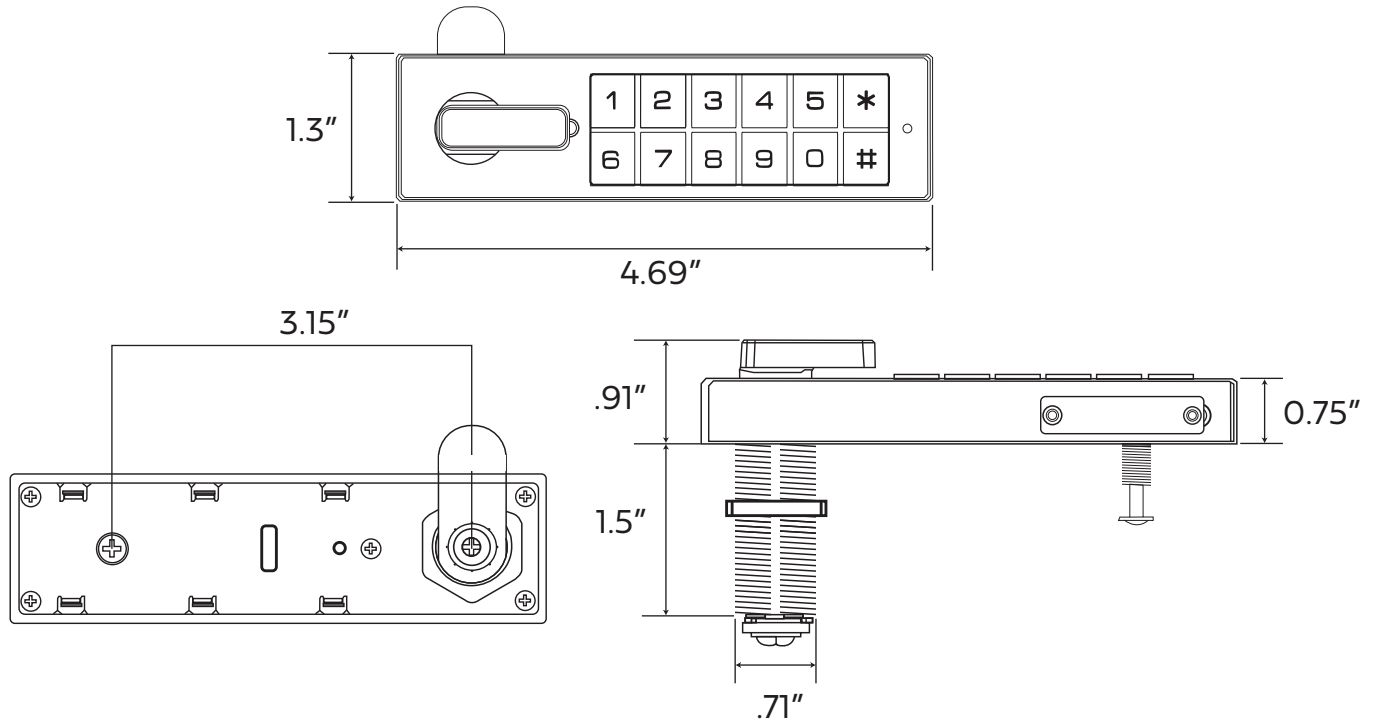
Product Information

Product number:	KD930R1SN
Color:	Brushed nickel
Dimensions (L*W*H):	4.69"x1.3"x0.19"
Warranty	2 years

locngo.com • sales@mormax.com • Phone: 914-699-0101

8 Westchester Plaza, Suite 135, Elmsford, NY 10523

Horizontal Keypad Powered by a Lithium Battery



Installation

- Designed for both new or retrofit installations
- Adaptable to various materials and thicknesses
- 90° or 180° lever rotation, clockwise or counter-clockwise to unlock
- Easily retrofits by replacing mechanical lock cores

Power

- Up to 5 years battery life with average use
- Powered by 1 lithium ion battery

Support

- 2 year warranty
- Life time product support